

# COMPENDIUM

design Daniel Rybakken, 2014



Type: Suspension

Lamps: LED 26W (\*) EEL: A  
 2700 or 2000K  
 dimmable with wall control  
 1227 lm @ 2700K brass or alu (delivered)  
 962 lm @ 2700K black (delivered)  
 1268 lm @ 3000K brass or alu (delivered)  
 994 lm @ 3000K black (delivered)

Product use: Indoor

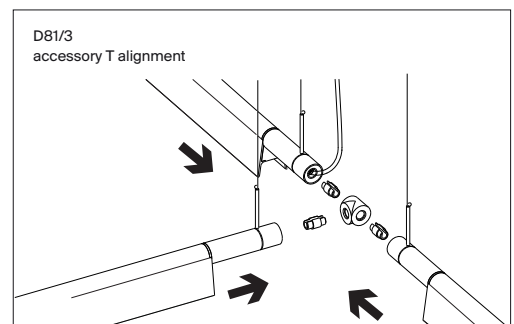
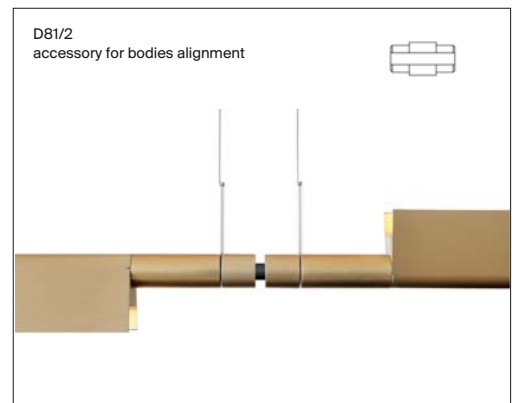
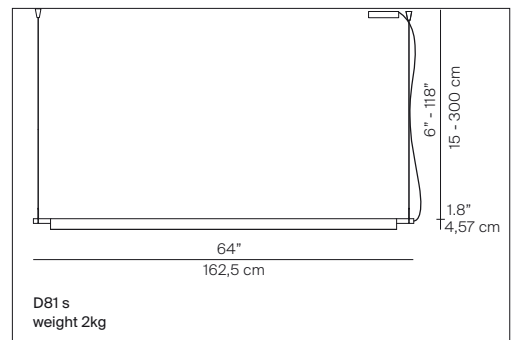
Materials: Profile in extruded aluminum anodized in various colors.

Colors: Black, brass, aluminum

Description: Compendium stands out for the evocative graphic-sculptural impact of their slim silhouette.

Rating:   220-240 V ~ 50/60 Hz  
 IP20

Marking: 



Reference code: Structure

D81s	1D810S000030	brass
3000K	1D810S000020	alu
	1D810S000001	black
D81sw	1D810SW000030	brass
2700K	1D810SW000020	alu
	1D810SW000001	black
Accessory		
	1D810/200001	black
	1D810/300001	black

(\*) The LED lamps cannot be changed in the luminaire.  
 Power consumption by device

