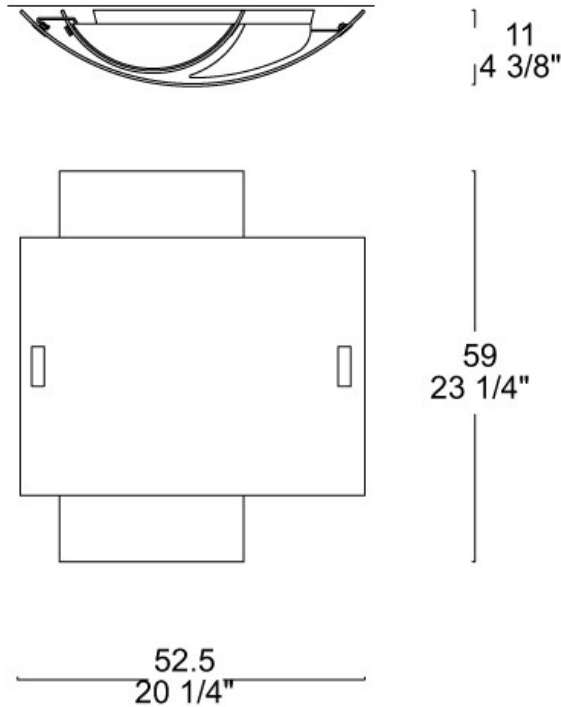




**DESIGNER:** Pierto Lunetta

Type:  
Ceiling lamp.  
Diffuser:  
Curved glass in white. Satin finish. Protector in polycarbonat on demand. Construction: White lacquered metal with grey details.

**NOTES**  
Lamp with double light switch  
electromagnetic ballast  
satin finish



## METAFISICA CEILING LAMP WHITE (E 14) White / White/silver grey

PRODUCT CODE: 0502192363601  
WEIGHT (KG): 8.5  
VOLUME (M<sup>3</sup>): 0.203  
COLOR: White  
STRUCTURE: White/silver grey

**NOTES**  
Lamp with double light switch

### LAMPS



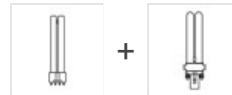
6 x 40W

## METAFISICA CEILING WHITE (FLUO) White / White/silver grey

PRODUCT CODE: 0502192363631  
WEIGHT (KG): 8.5  
VOLUME (M<sup>3</sup>): 0.203  
COLOR: White  
STRUCTURE: White/silver grey

**NOTES**  
electromagnetic ballast

### LAMPS



2 x 24W

1 x 26W

OF



6 x 40W

**CERTIFICATIONS**



**ACCESSORIES**

**code**                      **description**

0570045003600	DOUBLE ANTI GLARE SHIELD FOR METAFISICA CEIL.
---------------	-----------------------------------------------

**CERTIFICATIONS**



**ACCESSORIES**

**code**                      **description**

0570045003600	DOUBLE ANTI GLARE SHIELD FOR METAFISICA CEIL.
---------------	-----------------------------------------------