

Ex 2



F x 2



G x 4

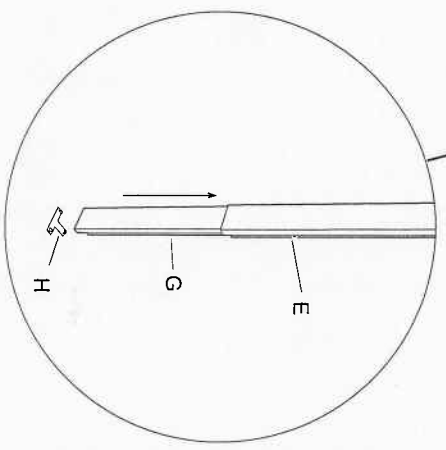
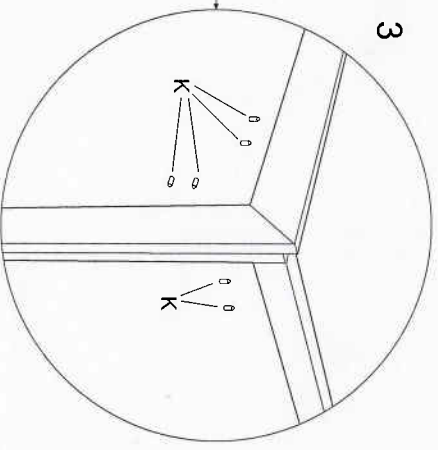
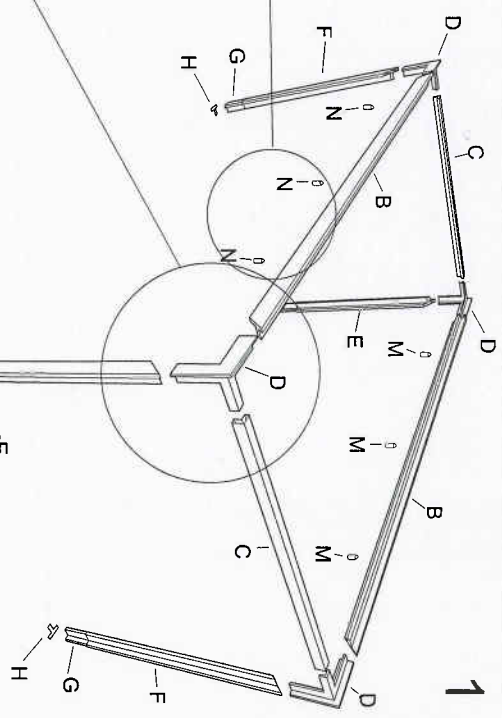
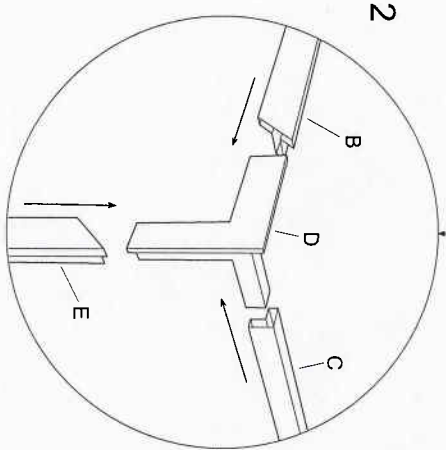
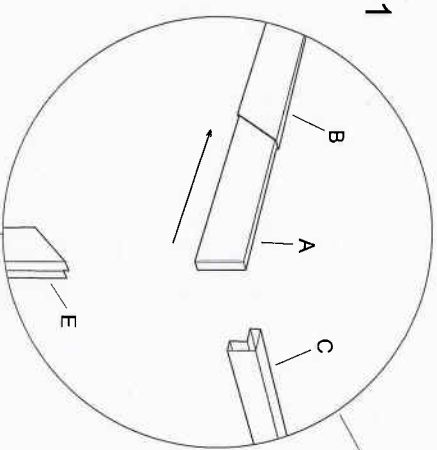
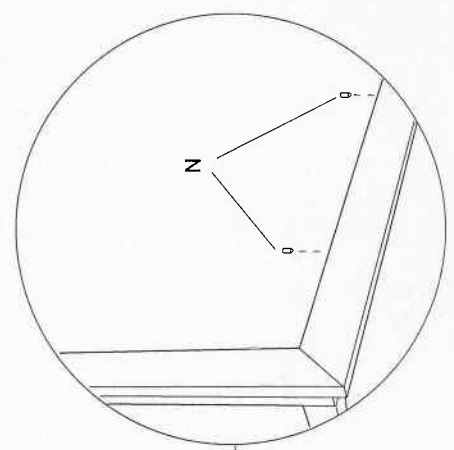


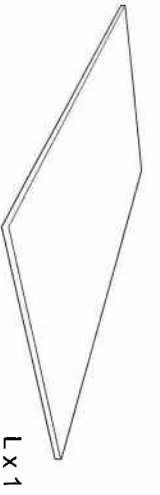
H x 4



K x 50

N

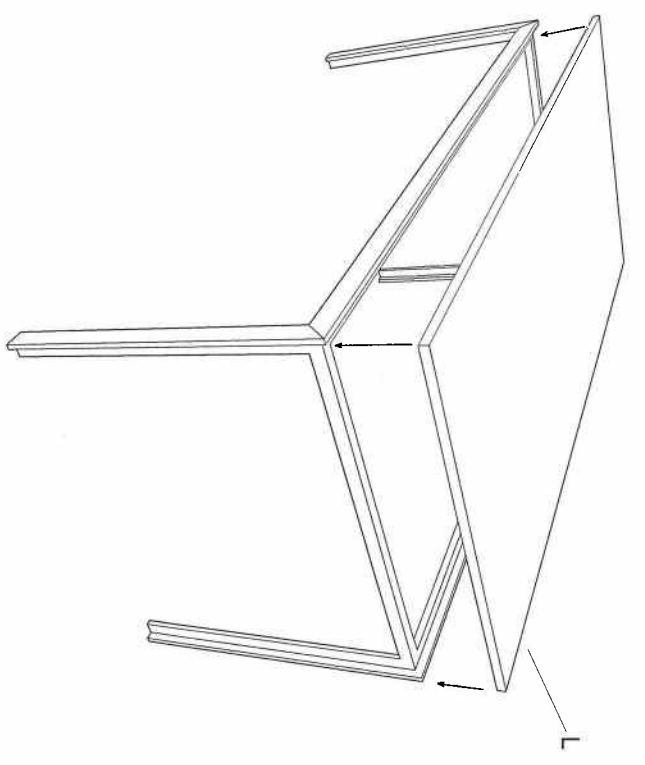




M x 16



N x 6-10



2

