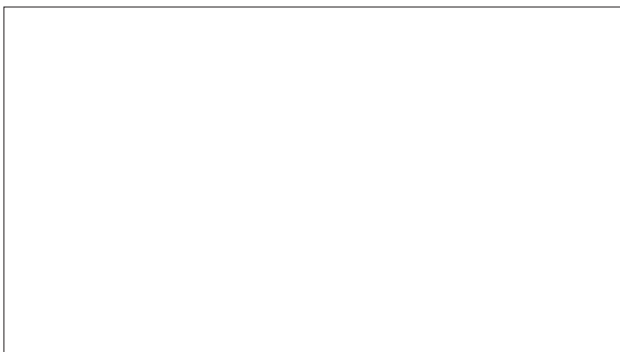
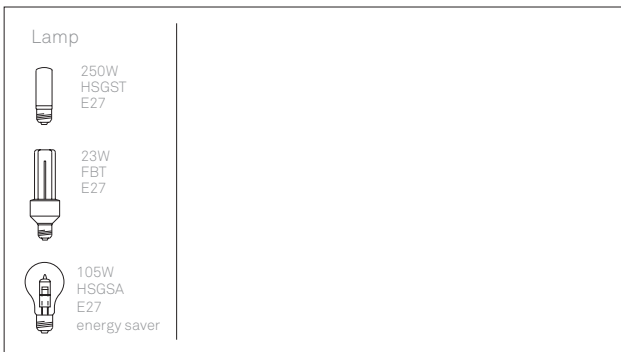
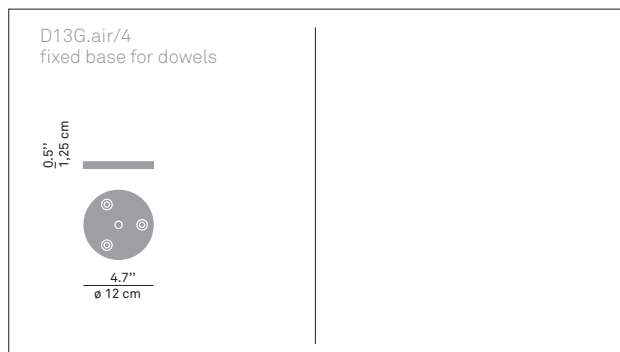
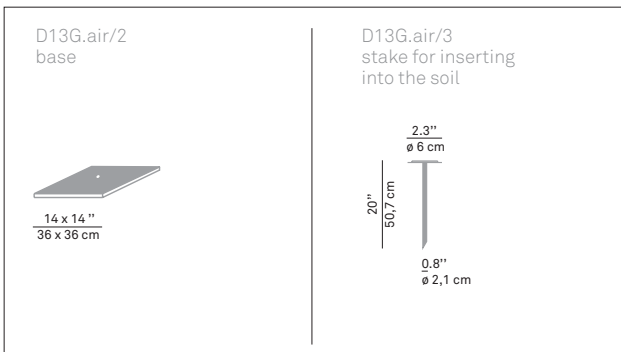
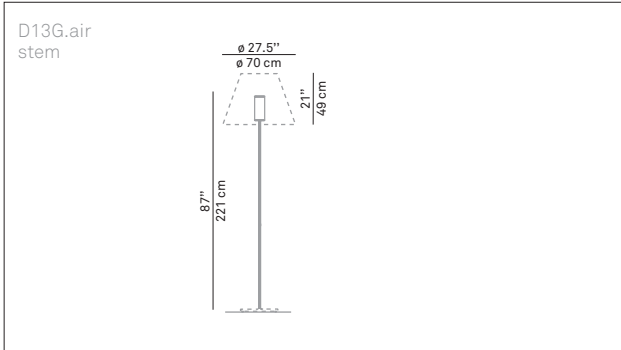


GRANDE COSTANZA OPEN AIR

rizzato paolo

D13G. air



Materials
stainless steel painted stem and base polycarbonate diffuser

Structure and base finishes Stake finishes

○ white ● rust ● alu ● alu

Diffuser finishes

○ off-white ● rust ● light green

Note
(* optical compartment IP55)

IP44(*) ⚡ ⚠