

FERRIC TABLE

Ferric Table

FE-06 109 00/SC-FE 12 25

€4171

Please note – prices do not include VAT.

Top

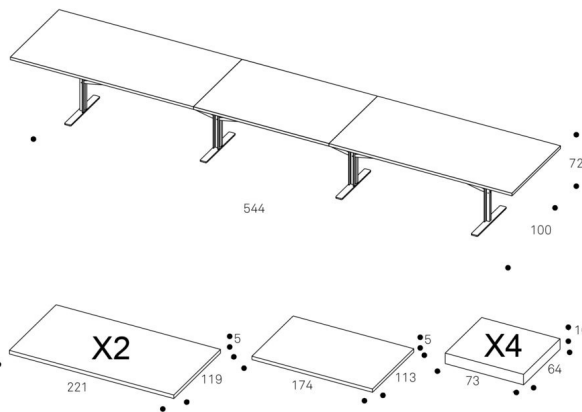
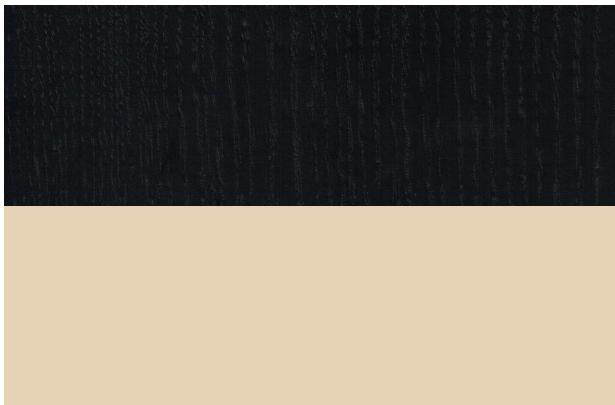
Size 544x100

Finish Black Stained Oak

Base

Height 920 mm

Color Ivory - RAL 1015



Information

Year: 2016



Description

A sturdy table made from solid materials for work, meetings and dining. Tabletops are available in a variety of wood finishes and the bases are in painted steel.

Lead time 6 weeks.

Instructions

For cleaning of wooden surfaces, advantageously use a detergent, or mild pH neutral detergent and lukewarm water in a well wrung cloth. Then wipe off with clean water and wipe dry. To preserve the look and finish you should be aware not to use: – Alkaline or aggressive cleaners, – Solvent – Preparations containing abrasives, – Abrasive tools. Remember not to let the cleaners or other liquids on the surface for long. For furniture and surfaces for use in public spaces, it is also important to remember not to use disinfectants that contain a high concentration of alcohol or alkaline substances, such as 70% alcohol. There are disinfectants that can be advantageously used, but that does not affect the painted / varnished surface appreciably. Note that freshly painted surfaces are susceptible to scratching. Surface final resistance is only achieved after about a month. Tape and other foreign substances such as, for example, adhesive and moisturizers can soften the treated surface and cause peeling / paint drop. For metal surfaces: Rinse with large quantities of water. Clean with wetting agent solution and use a sponge or soft cloth. Post-rinsing and drying. Specific instructions based on type of soiling: Greasy film can be removed with a concentrated wetting agent solution, alcohol or surfactant, after allowing the solution some time to break down the film before removing. Unidentifiable, stubborn dirt can be treated with facade cleaner (e.g., Ambruch2 www.ambruch.de) or Power Wipes www.interflon.net. Note: The specific methods listed here should be tested accordingly for possible damage to the surface.

